

MECHANICAL SPECIFICATIONS

FIXTURE (WITH YOKE) BOXED FOR SHIPPING

Dimensions:

mm: 293 x 585 x 701

in: 11.5 x 23.0 x 27.6

Dimensions:

mm: 506 x 657 x 910

in: 20 x 26 x 36

Fixture Weight: 25.9 kg (56 lb)

Shipping Weight: 36 kg (79 lb)

Mounting Information: Mount the Studio Spot 575 CMY fixture by attaching suitable clamps with locking washers through the center holes
 oMinimum Focus Distance:1 m (3.9 ft)

Minimum Focus Distance:1 m (3.9 ft)

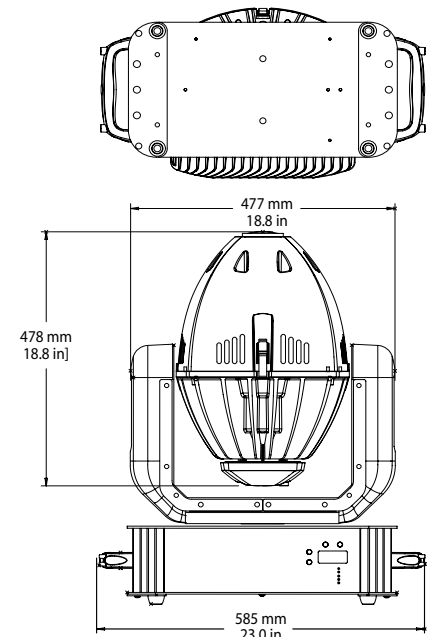
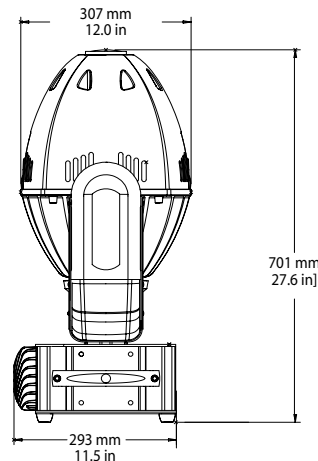
the base of the fixture.

Cheeseborough truss clamps and ½" nut/bolt sets may be purchased separately.

The fixture can also stand on its rubber feet on a sturdy, stable surface.

Colors Available: Black

Turning Radius: 22 in (558 mm)



ELECTRICAL SPECIFICATIONS/LIGHT SOURCE

Power Consumption: 100V 50HZ @ 7.0A
 230V 50HZ @ 3.0A
 100V 60HZ @ 7.0A
 230V 60HZ @ 3.0A

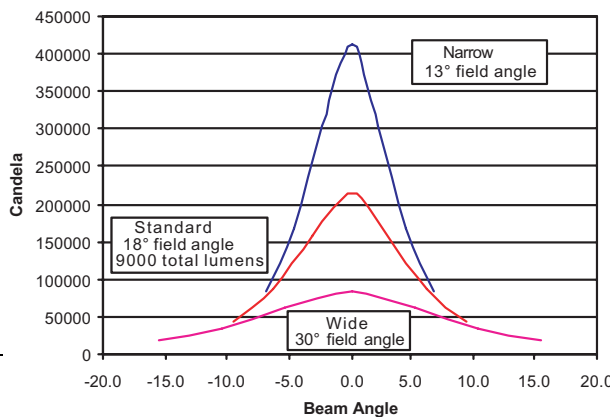
Rated Power: 700W maximum

Power Factor: 0.96 @ 230V/50Hz
 0.99@ 100 V/60Hz

Lamp Options: MSR 575/2 or optional MSD
 575 for longer lamp life

Lamp Specification:

Lamp	ColorTemp	Lamp Life	Light Output
MSR 575/2	6200K	500-750 hrs	9000 lumens
MSD 575	5600K	3000 hrs	7500 lumens



Center Beam Candela: 220,000

Beam Angle Degrees: 10

Field Angle Degrees: 18

$$\text{Illuminance} = \frac{\text{Candela}}{\text{Distance}^2}$$

Throw	Center Beam	Beam Diameter	Field Diameter
5	8,800	0.9	1.6
10	2,200	1.7	3.2
15	978	2.6	4.8
20	550	3.5	6.3
25	352	4.4	7.9
30	244	5.2	9.5
35	180	6.1	11.1
40	138	7.0	12.7
45	109	7.9	14.3
50	88	8.7	15.8
55	73	9.6	17.4
60	61	10.5	19.0
65	52	11.4	20.6
70	45	12.2	22.2
75	39	13.1	23.8
80	34	14.0	25.3
85	30	14.9	26.9
90	27	15.7	28.5
95	24	16.6	30.1
100	22	17.5	31.7

Note:

For Metric figures, read "Center Beam" values in lux, and the throw and diameters in meters.

For US figures, read "Center Beam" values in footcandles, and the throw and diameters in feet.

OPERATION

Pan: 370°

Tilt: 255°

Field Angle: 13° (optional) 18° or 30°

Compliances: CE, CETL, and ETL compliant.

Software Upgrades: Download operating software from the High End Systems website (www.highend.com) and upload using Echo Software.

Environmental Specifications:

Maximum Ambient Temperature (T_a): 40°C (104° F)

Maximum Exterior Surface Temperature: 200°C (392°F)

Maximum winding temperature, T_w: 130°C (266°F)

Maximum capacitor temperature, T_c: 85°C (185°F)

Minimum Focus Distance: 1 m (3.9 ft)

PART NUMBERS

Fixtures

39010003 - Studio Spot 575 CMY Automated Luminaire, w/lamp

Accessories

39060001 - Studio Spot 575 13° Narrow Angle Lens Assembly

39060002 - Studio Spot 575 18° Standard Angle Lens Assembly

39060003 - Studio Spot 575 30° Wide Angle Lens Assembly

Lamps

55030052 - Studio Spot 575 Replacement Lamp, Philips MSR 575-2

55030050 - Studio Spot 575 Replacement Lamp, Philips MSD 575

Flight cases

39070001 - Road Case, Studio Spot 575HC, Single Fixture

39070002 - Road Case, Studio Spot 575HC, Dual Fixtures

DMX Control

Control Options: DMX-512, On Board Programming/Playback, Internal Effects

Address Methods: LED Display, Fixture Talkback.

DMX/RDM Data Connectors: 3-pin male and female XLR connectors

DMX Channels: 24

Fixtures per Universe: 21

Internal Preset Scene Memory: 1 bank, 16 scenes

DMX Channels

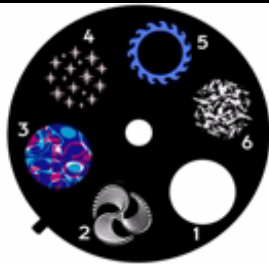
Channel	Function	Channel	Function
1	Pan	13	Litho Wheel 2 Function
2		14	Litho Wheel 2 Position
3		Litho Wheel 2 Rotation	
4	Tilt		
5	Color Wheel 1 Function	17	Frost (Variable)
6	Cyan	18	Focus
7	Magenta	19	Iris
8	Yellow	20	Shutter (mechanical strobe)
9	Litho Wheel 1 Function	21	Dim
10	Litho Wheel 1 Position	22	Motor Speed
11	Litho Wheel 1 Rotation	23	Factory Macros
12		Control	

Color Wheels

Studio Spot CMY models use two dual wheels with graduated color. Color mixing is achieved by setting different position combinations on each of the dual color wheels.

Litho Wheel 1

Position	Description
1	Open
2	Triwing
3	Lava
4	Hollywood Stars
5	Wavy Tunnel
6	Shatters



Litho Wheel 2

Position	Description
1	Open
2	Lenticular Effect Glass
3	Wide Slow Effect Glass
4	Building Blocks
5	Jax
6	Gatlin Gun



Lithopatterns Specifications

Resolution: 300 d.p.i.

Diameter: 1.435 in ± 0.006 in (36.449 mm ± 0.15 mm)

Image area: 1.250 in ± 0.010 in (31.750 mm ± 0.25 mm)

Thickness: 0.070 in ± 0.010 in (1.778 mm ± 0.25 mm)

Effects Glass Specifications

Diameter: 1.430 in ± 0.125 in ± 0.010 in (3.175 mm ± 0.25 mm)

Image Area: 1.250 in ± 0.010 in (31.750 mm ± 0.25 mm)

Thickness: 0.125 in ± 0.010 in (3.175 mm ± 0.25 mm)

© 2009, Barco Lighting Systems, Inc. All specifications subject to change without notice.

Barco Lighting Systems, Inc.

2105 Gracy Farms Lane
Austin, TX 78758 USA
voice:512.836.2242
fax:512.837.5290
Toll Free: 800.890.8989

Customer Service

2105 Gracy Farms Lane
Austin, TX 78758 USA
voice:800.890.8989
fax: 512.834.9195
Toll free: 800.890.8989